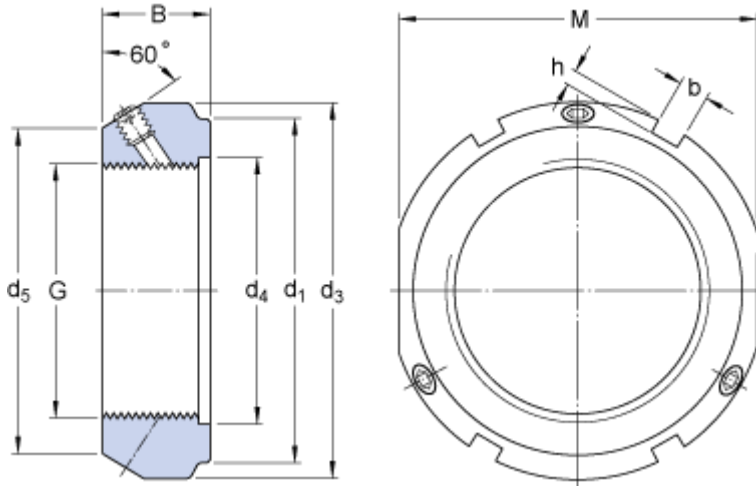


# KMT 5

## Dimensions



G	M 25x1.5	
d <sub>1</sub>	39	mm
B	20	mm
d <sub>3</sub>	44	mm
d <sub>4</sub>	26	mm
d <sub>5</sub>	36	mm
M	41	mm
b	5	mm
h	2	mm

## Calculation data

Axial static load carrying capacity	130	kN
-------------------------------------	-----	----

## Mass

Mass	0.13	kg
------	------	----

## Mounting information

Associated spanner (Hook spanner in accordance with DIN 1810)	HN 5-6
Grub (set) / Locking screw size	M 6
Recommended tightening torque	8 N·m