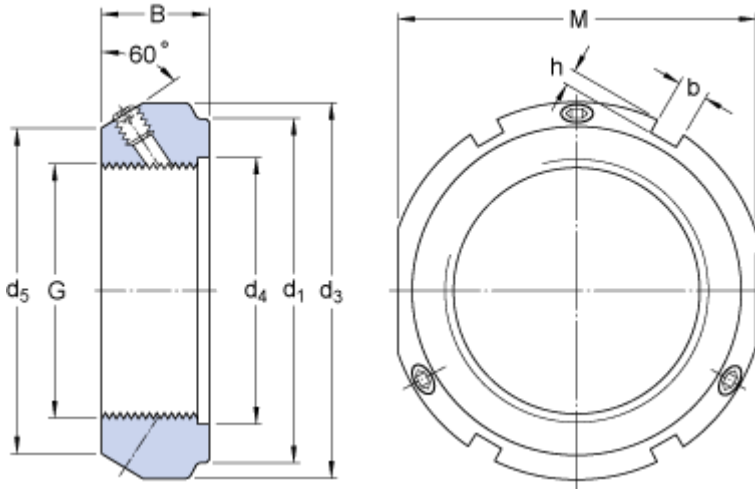


# KMT 4

## Dimensions



G	M 20x1	
d <sub>1</sub>	35	mm
B	18	mm
d <sub>3</sub>	40	mm
d <sub>4</sub>	21	mm
d <sub>5</sub>	32	mm
M	36	mm
b	5	mm
h	2	mm

## Calculation data

Axial static load carrying capacity 90 kN

## Mass

Mass 0.11 kg

## Mounting information

Associated spanner (Hook spanner in accordance with DIN 1810) HN 5-6

Grub (set) / Locking screw size M 6

Recommended tightening torque 8 N·m