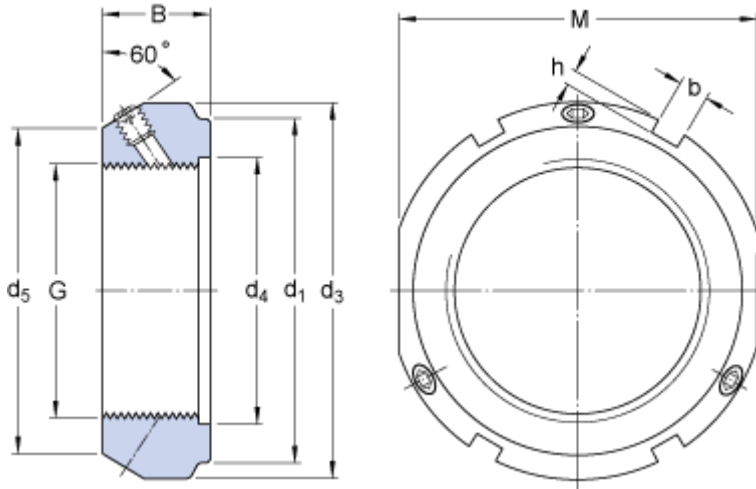


KMT 3

Dimensions



G	M 17x1	
d ₁	33	mm
B	18	mm
d ₃	37	mm
d ₄	18	mm
d ₅	29	mm
M	34	mm
b	5	mm
h	2	mm

Calculation data

Axial static load carrying capacity 80 kN

Mass

Mass 0.1 kg

Mounting information

Associated spanner (Hook spanner in accordance with DIN 1810) HN 5-6
 Grub (set) / Locking screw size M 6
 Recommended tightening torque 8 N·m