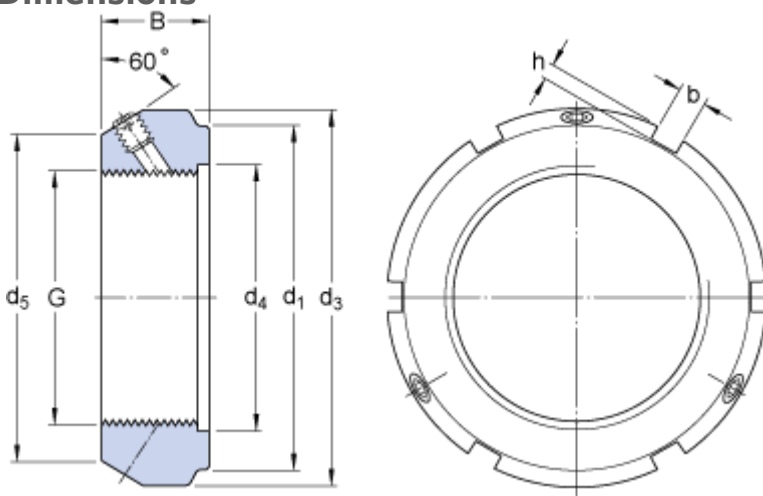


KMT 22

Dimensions



G	M 110x2	
d ₁	134	mm
B	32	mm
d ₃	145	mm
d ₄	112	mm
d ₅	132	mm
b	10	mm
h	4	mm

Calculation data

Axial static load carrying capacity	800	kN
-------------------------------------	-----	----

Mass

Mass	1.45	kg
------	------	----

Mounting information

Associated spanner (Hook spanner in accordance with DIN 1810)	HN 21-22
Grub (set) / Locking screw size	M 10
Recommended tightening torque	35 N·m