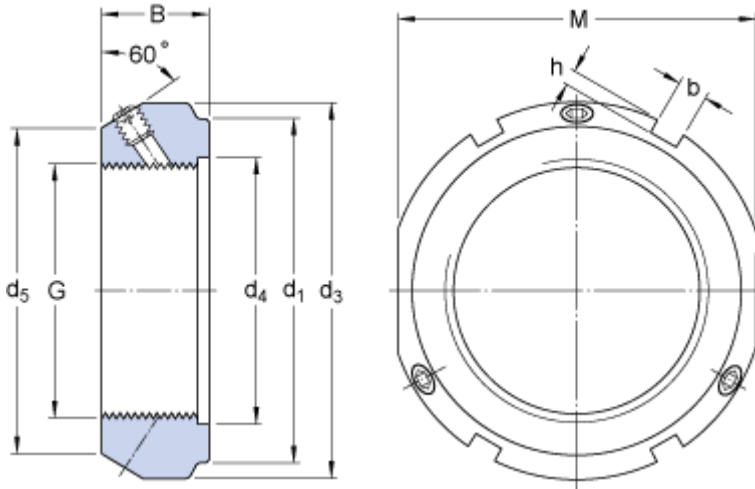


KMT 1

Dimensions



G	M 12x1	
d ₁	25	mm
B	14	mm
d ₃	30	mm
d ₄	13	mm
d ₅	23	mm
M	27	mm
b	4	mm
h	2	mm

Calculation data

Axial static load carrying capacity 40 kN

Mass

Mass 0.05 kg

Mounting information

Associated spanner (Hook spanner in accordance with DIN 1810) HN 4

Grub (set) / Locking screw size M 5

Recommended tightening torque 4.5 N·m