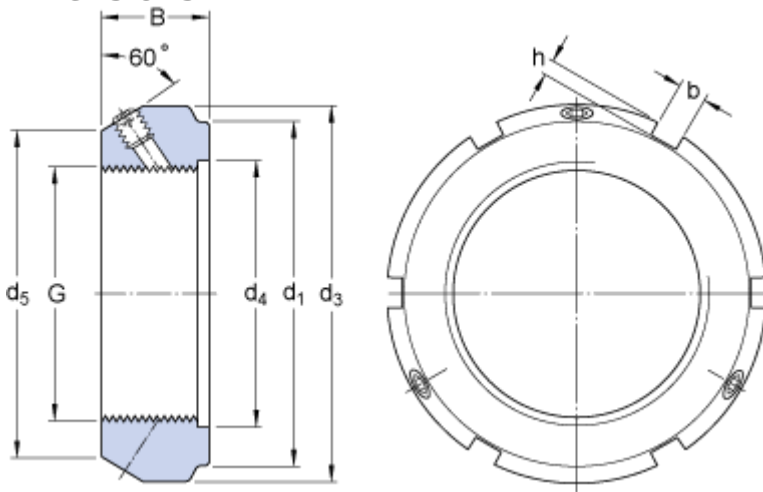


# KMT 16

## Dimensions



G	M 80x2	
d <sub>1</sub>	100	mm
B	32	mm
d <sub>3</sub>	110	mm
d <sub>4</sub>	83	mm
d <sub>5</sub>	98	mm
b	8	mm
h	3.5	mm

## Calculation data

Axial static load carrying capacity	620	kN
-------------------------------------	-----	----

## Mass

Mass	0.9	kg
------	-----	----

## Mounting information

Associated spanner (Hook spanner in accordance with DIN 1810)	HN 17
Grub (set) / Locking screw size	M 8
Recommended tightening torque	18 N·m