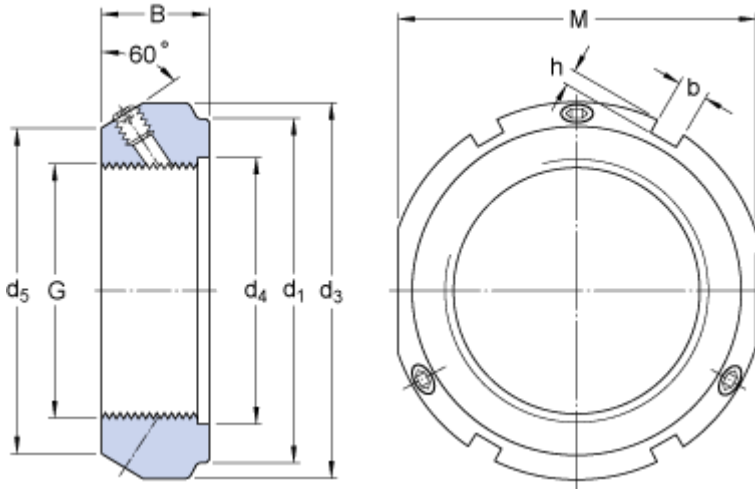


KMT 12

Dimensions



G	M 60x2	
d ₁	82	mm
B	26	mm
d ₃	90	mm
d ₄	62	mm
d ₅	78	mm
M	85	mm
b	8	mm
h	3.5	mm

Calculation data

Axial static load carrying capacity	380	kN
-------------------------------------	-----	----

Mass

Mass	0.61	kg
------	------	----

Mounting information

Associated spanner (Hook spanner in accordance with DIN 1810)	HN 12-13
Grub (set) / Locking screw size	M 8
Recommended tightening torque	18 N·m