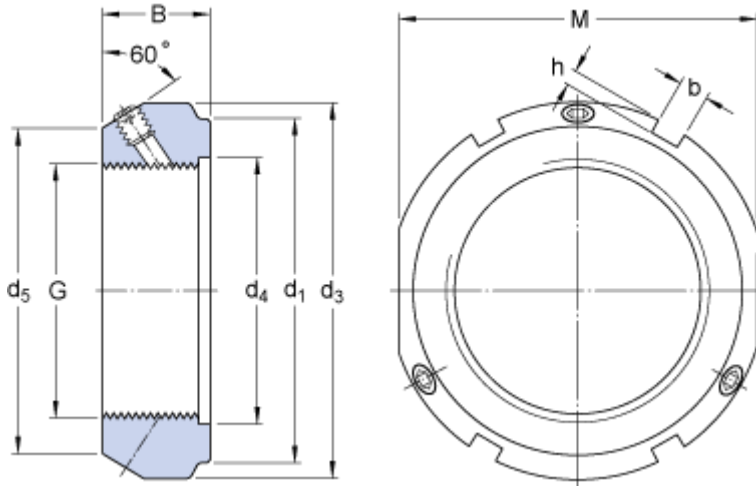


# KMT 11

## Dimensions



G	M 55x2	
d <sub>1</sub>	78	mm
B	25	mm
d <sub>3</sub>	85	mm
d <sub>4</sub>	58	mm
d <sub>5</sub>	74	mm
M	80	mm
b	7	mm
h	3	mm

## Calculation data

Axial static load carrying capacity	340	kN
-------------------------------------	-----	----

## Mass

Mass	0.54	kg
------	------	----

## Mounting information

Associated spanner (Hook spanner in accordance with DIN 1810)	HN 12-13
Grub (set) / Locking screw size	M 8
Recommended tightening torque	18 N·m