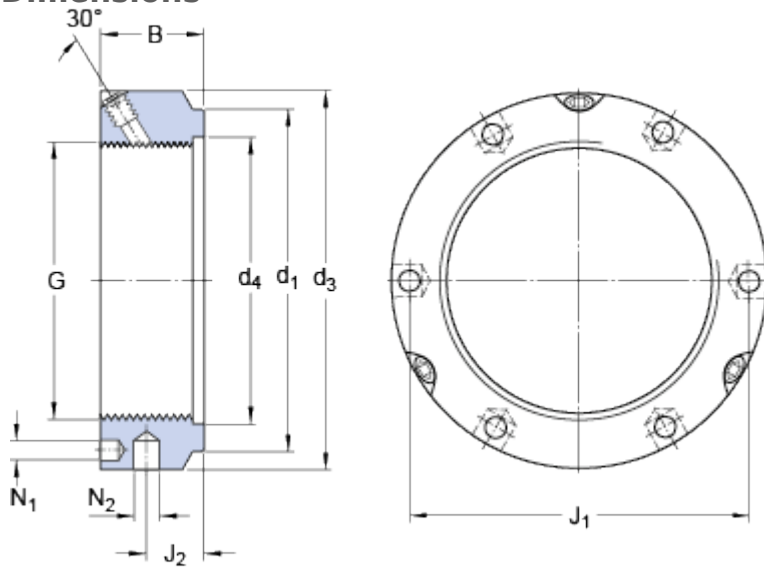


KMTA 10

Dimensions



G	M 50x1.5	
d ₁	63	mm
B	24	mm
d ₃	70	mm
d ₄	52	mm
J ₁	61.5	mm
J ₂	13	mm
N ₁	4.3	mm
N ₂	6	mm

Calculation data

Axial static load carrying capacity 300 kN

Mass

Mass 0.34 kg

Mounting information

Associated spanner (Hook spanner in accordance with DIN 1810) B 68-75

Grub (set) / Locking screw size M 6

Recommended tightening torque 8 N·m