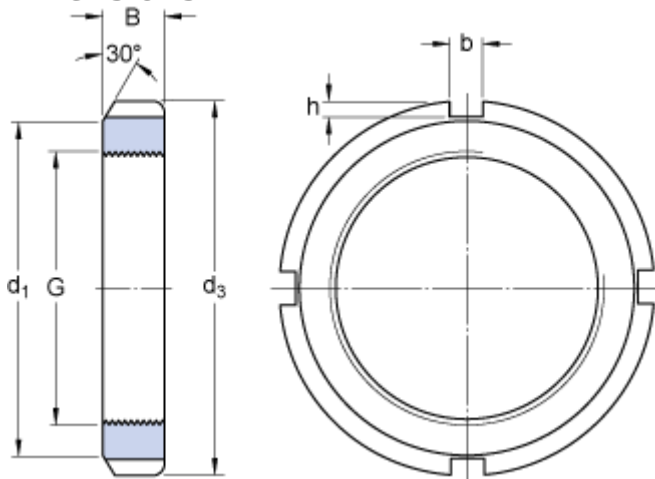


# KML 38

## Dimensions



G	M 190x3	
$d_3$	220	mm
B	28	mm
$d_1$	210	mm
b	16	mm
h	5	mm

## Calculation data

Axial static load carrying capacity 475 kN

## Mass

Mass lock nut 1.85 kg

## Mounting information

Associated spanner TMFN 30-40

## Associated products

Lock washer / Locking clip [MBL 38](#)