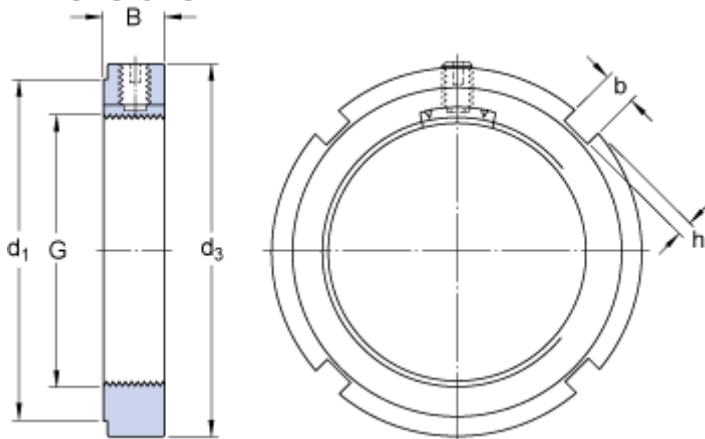


KMK 9

Dimensions



G	M 45x1.5	
d ₃	65	mm
B	11	mm
d ₁	60	mm
b	6	mm
h	2.5	mm

Calculation data

Axial static load carrying capacity	78	kN
-------------------------------------	----	----

Mass

Mass lock nut	0.14	kg
---------------	------	----

Mounting information

Associated spanner	HN 8-9
Grub (set) screw size	M6
Recommended grub screw tightening torque	8 N·m