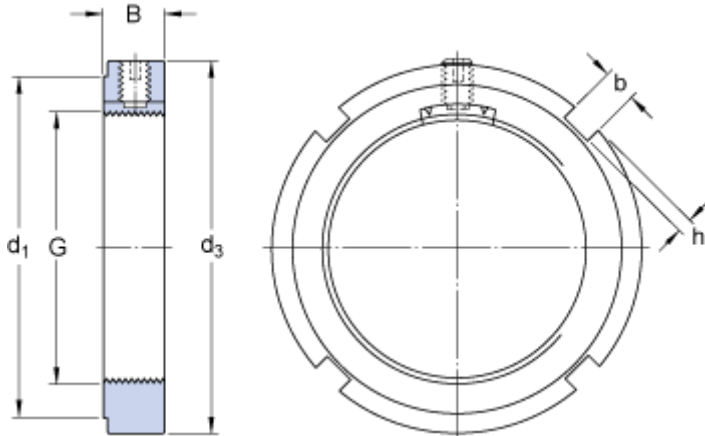


# KMK 8

## Dimensions



G	M 40x1.5	
d <sub>3</sub>	58	mm
B	11	mm
d <sub>1</sub>	53	mm
b	6	mm
h	2.5	mm

## Calculation data

Axial static load carrying capacity	62	kN
-------------------------------------	----	----

## Mass

Mass lock nut	0.11	kg
---------------	------	----

## Mounting information

Associated spanner	HN 8-9
Grub (set) screw size	M6
Recommended grub screw tightening torque	8 N·m