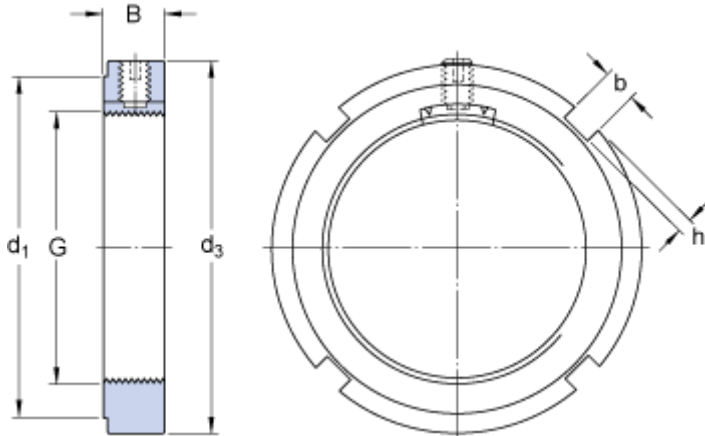


KMK 7

Dimensions



G	M 35x1.5	
d_3	52	mm
B	9	mm
d_1	48	mm
b	5	mm
h	2	mm

Calculation data

Axial static load carrying capacity 50 kN

Mass

Mass lock nut 0.07 kg

Mounting information

Associated spanner HN 7

Grub (set) screw size M5

Recommended grub screw tightening torque 4 N·m