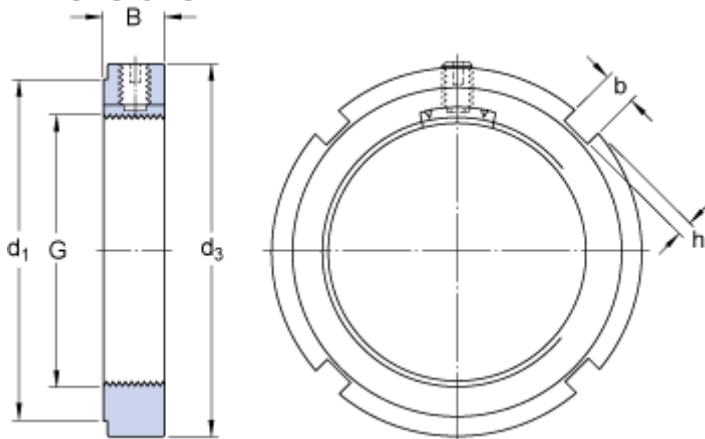


KMK 14

Dimensions



G	M 70x2	
d_3	92	mm
B	14	mm
d_1	85	mm
b	8	mm
h	3.5	mm

Calculation data

Axial static load carrying capacity	118	kN
-------------------------------------	-----	----

Mass

Mass lock nut	0.28	kg
---------------	------	----

Mounting information

Associated spanner	HN 14	
Grub (set) screw size	M8	
Recommended grub screw tightening torque	18	N·m