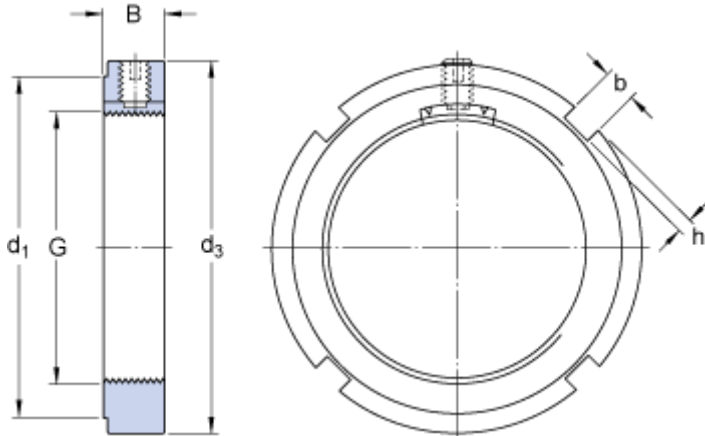


KMK 11

Dimensions



G	M 55x2	
d_3	75	mm
B	15	mm
d_1	69	mm
b	7	mm
h	3	mm

Calculation data

Axial static load carrying capacity	91.5	kN
-------------------------------------	------	----

Mass

Mass lock nut	0.22	kg
---------------	------	----

Mounting information

Associated spanner	HN 10-11	
Grub (set) screw size	M8	
Recommended grub screw tightening torque	18	N·m