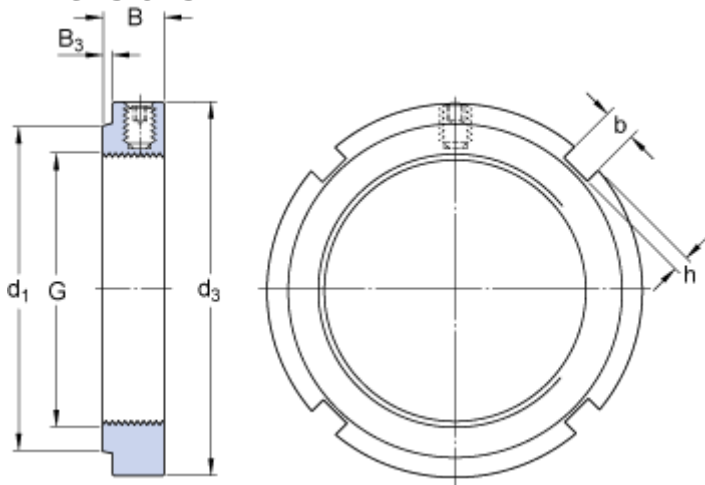


KMFE 20

Dimensions



G	M 100x2	
d ₃	130	mm
B	21	mm
d ₁	112	mm
B ₃	4	mm
b	10	mm
h	4	mm

Calculation data

Axial static load carrying capacity	255	kN
-------------------------------------	-----	----

Mass

Mass lock nut	0.81	kg
---------------	------	----

Mounting information

Associated spanner	HN 18-20
Grub (set) screw size	M8
Recommended grub screw tightening torque	18 N·m