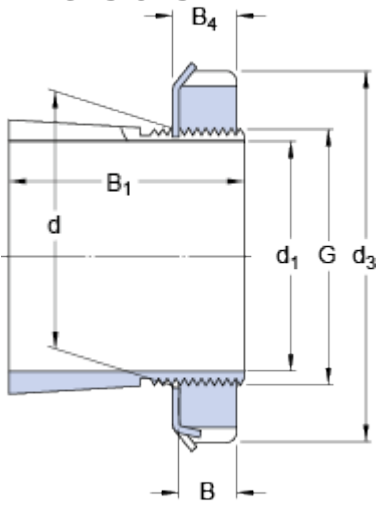


H 3140

Dimensions



d_1	180	mm
d	200	mm
d_3	250	mm
B_1	150	mm
B	29	mm
B_4	31.5	mm
G	M 200x3	

Mass

Mass adapter sleeve assembly

12 kg

Included products

Lock nut

[KM 40](#)

Locking device

[MB 40](#)

Associated products

Hydraulic nut

[HMV 40 E](#)