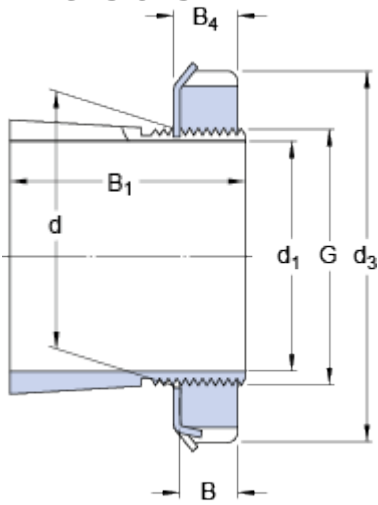


H 3138

Dimensions



d_1	170	mm
d	190	mm
d_3	240	mm
B_1	141	mm
B	28	mm
B_4	30.5	mm
G	M 190x3	

Mass

Mass adapter sleeve assembly

10.5

kg

Included products

Lock nut

[KM 38](#)

Locking device

[MB 38](#)

Associated products

Hydraulic nut

[HMV 38 E](#)