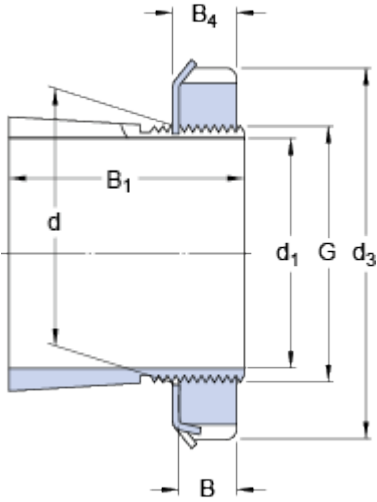


# H 3126

## Dimensions



$d_1$	115	mm
$d$	130	mm
$d_3$	165	mm
$B_1$	92	mm
$B$	21	mm
$B_4$	23	mm
$G$	M 130x2	

## Mass

Mass adapter sleeve assembly

3.45

kg

## Included products

Lock nut

[KM 26](#)

Locking device

[MB 26](#)

## Associated products

Hydraulic nut

[H MV 26 E](#)