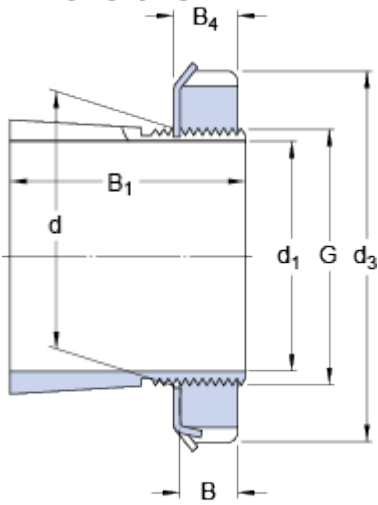


# H 3024

## Dimensions



$d_1$	110	mm
$d$	120	mm
$d_3$	145	mm
$B_1$	72	mm
$B$	20	mm
$B_4$	22	mm
$G$	M 120x2	

## Mass

Mass adapter sleeve assembly

1.8 kg

## Included products

Lock nut

[KML 24](#)

Locking device

[MBL 24](#)

## Associated products

Hydraulic nut

[HMV 24 E](#)