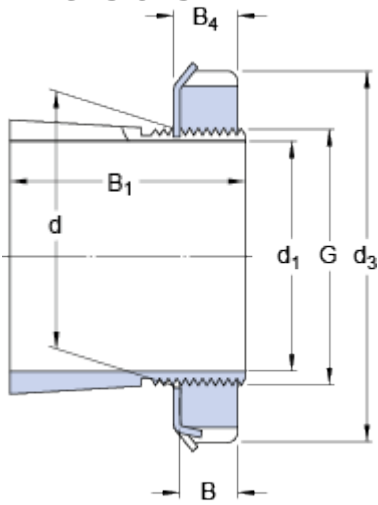


# H 2310

## Dimensions



$d_1$	45	mm
$d$	50	mm
$d_3$	70	mm
$B_1$	55	mm
$B$	11	mm
$B_4$	12	mm
$G$	M 50x1.5	

## Mass

Mass adapter sleeve assembly

0.34

kg

## Included products

Lock nut

[KM 10](#)

Locking device

[MB 10](#)

## Associated products

Hydraulic nut

[HMV 10 E](#)