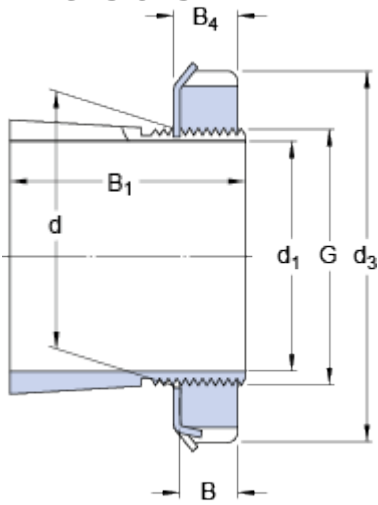


# H 2305

## Dimensions



$d_1$	20	mm
$d$	25	mm
$d_3$	38	mm
$B_1$	35	mm
$B$	7	mm
$B_4$	8	mm
$G$	M 25x1.5	

## Mass

Mass adapter sleeve assembly

0.085

kg

## Included products

Lock nut

[KM 5](#)

Locking device

[MB 5](#)