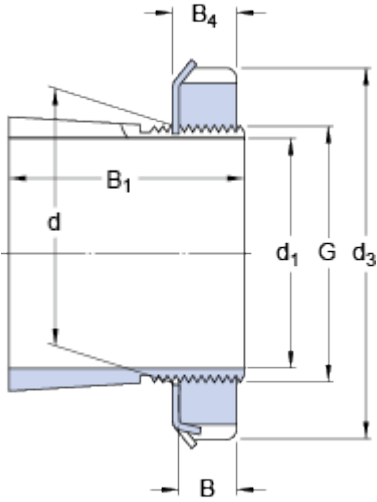


# H 215

## Dimensions



$d_1$	65	mm
$d$	75	mm
$d_3$	98	mm
$B_1$	43	mm
$B$	13	mm
$B_4$	14.5	mm
$G$	M 75x2	

## Mass

Mass adapter sleeve assembly

0.74

kg

## Included products

Lock nut

[KM 15](#)

Locking device

[MB 15](#)

## Associated products

Hydraulic nut

[HMV 15E](#)