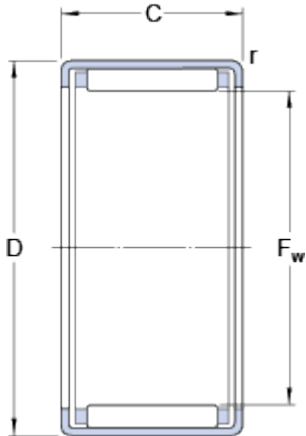


HK 6020

Dimensions



F_w	60	mm
D	68	mm
C	20	mm
r	min. 0.8	mm

Calculation data

Basic dynamic load rating	C	31.9	kN
Basic static load rating	C	75	kN
Fatigue load limit	P_u	9.3	kN
Reference speed		4300	r/min
Limiting speed		4800	r/min

Mass

Mass bearing		0.081	kg
Designation		HK 6020	