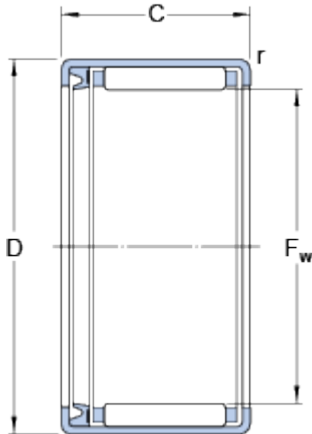


HK 5022 RS

Dimensions



F _w	50	mm
D	58	mm
C	22	mm
r	min. 0.8	mm

Calculation data

Basic dynamic load rating	C	29.2	kN
Basic static load rating	C	63	kN
Fatigue load limit	P _u	7.8	kN
Limiting speed		3600	r/min

Mass

Mass bearing	0.076	kg
--------------	-------	----

Designation HK 5022 RS

Associated products

Inner ring IR series	IR 45x50x25.5
Inner ring LR series	LR 45x50x25.5