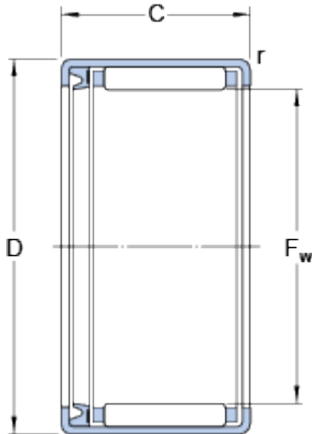


HK 4018 RS

Dimensions



F _w	40	mm
D	47	mm
C	18	mm
r	min. 0.8	mm

Calculation data

Basic dynamic load rating	C	19	kN
Basic static load rating	C	39	kN
Fatigue load limit	P _u	4.55	kN
Limiting speed		4500	r/min

Mass

Mass bearing	0.045	kg
--------------	-------	----

Designation	HK 4018 RS
-------------	------------

Associated products

Inner ring IR series	IR 35x40x20.5
Inner ring LR series	LR 35x40x20.5