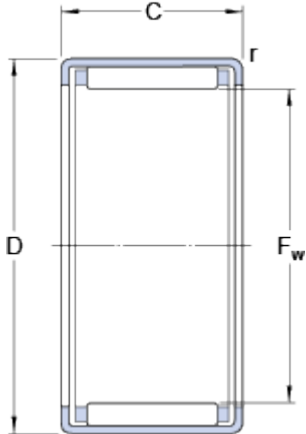


# HK 4016

## Dimensions



F <sub>w</sub>	40	mm
D	47	mm
C	16	mm
r	min. 0.8	mm

## Calculation data

Basic dynamic load rating	C	19	kN
Basic static load rating	C	39	kN
Fatigue load limit	P <sub>u</sub>	4.55	kN
Reference speed		6300	r/min
Limiting speed		7000	r/min

## Mass

Mass bearing		0.039	kg
Designation		HK 4016	

## Associated products

Inner ring IR series	IR 35x40x20
Inner ring LR series	LR 35x40x16.5
Radial shaft seal with a low cross-sectional height, single lip	<a href="#">G 40x47x4</a>
Radial shaft seal with a low cross-sectional height, double lip	<a href="#">SD 40x47x4</a>