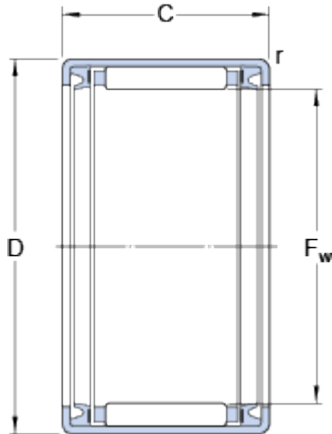


# HK 3520.2RS

## Dimensions



$F_w$	35	mm
D	42	mm
C	20	mm
r	min. 0.8	mm

## Calculation data

Basic dynamic load rating	C	17.9	kN
Basic static load rating	C	34	kN
Fatigue load limit	$P_u$	4	kN
Limiting speed		5000	r/min

## Mass

Mass bearing	0.041	kg
--------------	-------	----

Designation HK 3520.2RS

## Associated products

Inner ring IR series	IR 30x35x20.5
Inner ring LR series	LR 30x35x20.5