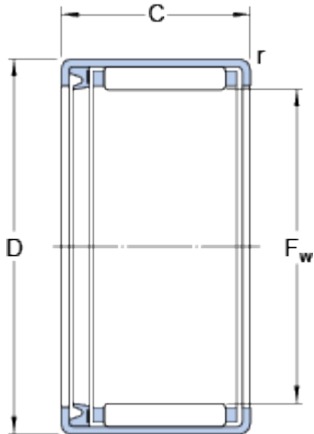


# HK 3518 RS

## Dimensions



|                |          |    |
|----------------|----------|----|
| F <sub>w</sub> | 35       | mm |
| D              | 42       | mm |
| C              | 18       | mm |
| r              | min. 0.8 | mm |

## Calculation data

|                           |                |      |       |
|---------------------------|----------------|------|-------|
| Basic dynamic load rating | C              | 17.9 | kN    |
| Basic static load rating  | C              | 34   | kN    |
| Fatigue load limit        | P <sub>u</sub> | 4    | kN    |
| Limiting speed            |                | 5000 | r/min |

## Mass

|              |       |    |
|--------------|-------|----|
| Mass bearing | 0.039 | kg |
|--------------|-------|----|

|             |            |
|-------------|------------|
| Designation | HK 3518 RS |
|-------------|------------|

## Associated products

|                      |               |
|----------------------|---------------|
| Inner ring IR series | IR 30x35x20.5 |
| Inner ring LR series | LR 30x35x20.5 |