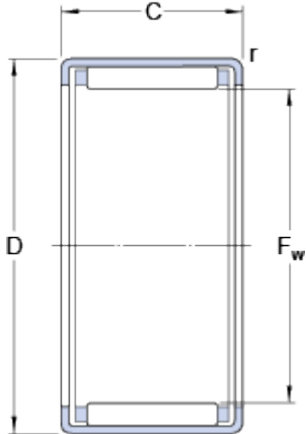


# HK 2520

## Dimensions



F <sub>w</sub>	25	mm
D	32	mm
C	20	mm
r	min. 0.8	mm

## Calculation data

Basic dynamic load rating	C	19	kN
Basic static load rating	C	32.5	kN
Fatigue load limit	P <sub>u</sub>	4	kN
Reference speed		9500	r/min
Limiting speed		11000	r/min

## Mass

Mass bearing		0.033	kg
Designation		HK 2520	

## Associated products

Inner ring IR series	IR 20x25x20.5
Inner ring LR series	LR 20x25x20.5
Radial shaft seal with a low cross-sectional height, single lip	<a href="#">G 25x32x4</a>