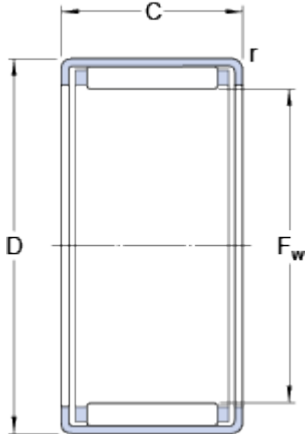


# HK 2220

## Dimensions



$F_w$	22	mm
D	28	mm
C	20	mm
r	min. 0.8	mm

## Calculation data

Basic dynamic load rating	C	15.7	kN
Basic static load rating	C	29	kN
Fatigue load limit	$P_u$	3.45	kN
Reference speed		11000	r/min
Limiting speed		12000	r/min

## Mass

Mass bearing		0.026	kg
Designation		HK 2220	

## Associated products

Inner ring IR series		IR 17x22x23
Radial shaft seal with a low cross-sectional height, single lip		<a href="#">G 22x28x4</a>
Radial shaft seal with a low cross-sectional height, double lip		<a href="#">SD 22x28x4</a>