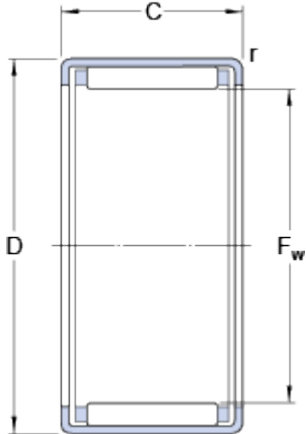


HK 2010

Dimensions



F _w	20	mm
D	26	mm
C	10	mm
r	min. 0.8	mm

Calculation data

Basic dynamic load rating	C	6.16	kN
Basic static load rating	C	8.5	kN
Fatigue load limit	P _u	0.93	kN
Reference speed		12000	r/min
Limiting speed		14000	r/min

Mass

Mass bearing		0.012	kg
Designation		HK 2010	

Associated products

Radial shaft seal with a low cross-sectional height, single lip	G 20x26x4
Radial shaft seal with a low cross-sectional height, double lip	SD 20x26x4