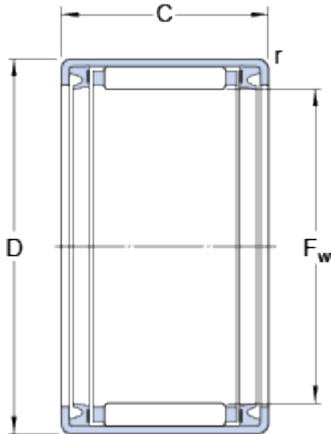


HK 1816.2RS

Dimensions



F_w	18	mm
D	24	mm
C	16	mm
r	min. 0.8	mm

Calculation data

Basic dynamic load rating	C	7.92	kN
Basic static load rating	C	11.2	kN
Fatigue load limit	P_u	1.27	kN
Limiting speed		8500	r/min

Mass

Mass bearing		0.015	kg
--------------	--	-------	----

Designation HK 1816.2RS

Associated products

Inner ring IR series	IR 15x18x16.5
Inner ring LR series	LR 15x18x16.5