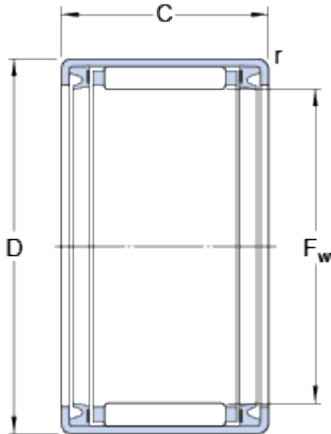


HK 1516.2RS

Dimensions



F_w	15	mm
D	21	mm
C	16	mm
r	min. 0.8	mm

Calculation data

Basic dynamic load rating	C	7.48	kN
Basic static load rating	C	10	kN
Fatigue load limit	P_u	1.14	kN
Limiting speed		9500	r/min

Mass

Mass bearing	0.015	kg
--------------	-------	----

Designation	HK 1516.2RS
-------------	-------------

Associated products

Inner ring IR series	IR 12x15x16.5
Inner ring LR series	LR 12x15x16.5