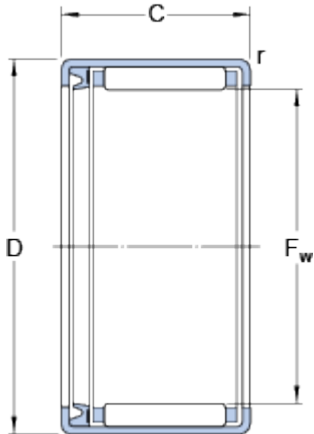


# HK 1514 RS

## Dimensions



F <sub>w</sub>	15	mm
D	21	mm
C	14	mm
r	min. 0.8	mm

## Calculation data

Basic dynamic load rating	C	7.48	kN
Basic static load rating	C	10	kN
Fatigue load limit	P <sub>u</sub>	1.14	kN
Limiting speed		9500	r/min

## Mass

Mass bearing	0.012	kg
--------------	-------	----

Designation	HK 1514 RS
-------------	------------

## Associated products

Inner ring IR series	IR 12x15x16.5
Inner ring LR series	<a href="#">LR 12x15x16.5</a>