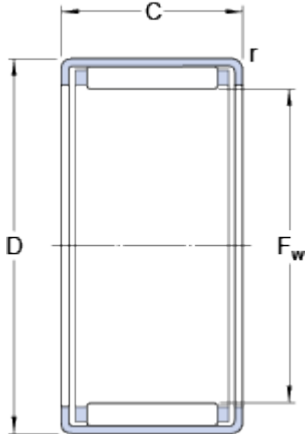


HK 1312

Dimensions



F _w	13	mm
D	19	mm
C	12	mm
r	min. 0.8	mm

Calculation data

Basic dynamic load rating	C	6.6	kN
Basic static load rating	C	8	kN
Fatigue load limit	P _u	0.915	kN
Reference speed		16000	r/min
Limiting speed		17000	r/min

Mass

Mass bearing		0.01	kg
Designation		HK 1312	

Associated products

Inner ring IR series	IR 10x13x12.5
Inner ring LR series	LR 10x13x12.5
Radial shaft seal with a low cross-sectional height, single lip	G 13x19x3