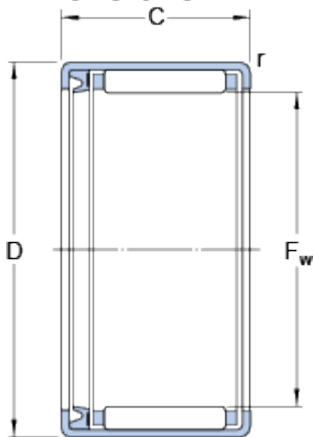


HK 1214 RS

Dimensions



F_w	12	mm
D	18	mm
C	14	mm
r	min. 0.8	mm

Calculation data

Basic dynamic load rating	C	6.27	kN
Basic static load rating	C	7.35	kN
Fatigue load limit	P_u	0.85	kN
Limiting speed		10000	r/min

Mass

Mass bearing		0.01	kg
--------------	--	------	----

Designation		HK 1214 RS	
-------------	--	------------	--