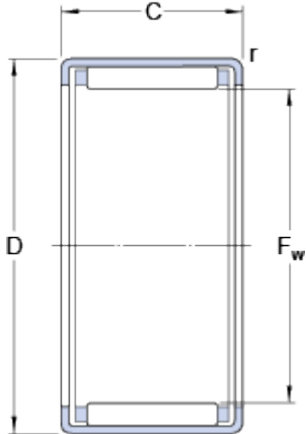


HK 1015

Dimensions



F _w	10	mm
D	14	mm
C	15	mm
r	min. 0.4	mm

Calculation data

Basic dynamic load rating	C	6.6	kN
Basic static load rating	C	9	kN
Fatigue load limit	P _u	1.02	kN
Reference speed		18000	r/min
Limiting speed		20000	r/min

Mass

Mass bearing		0.006	kg
Designation		HK 1015	

Associated products

Inner ring IR series		IR 7x10x16
Radial shaft seal with a low cross-sectional height, single lip		G 10x14x3