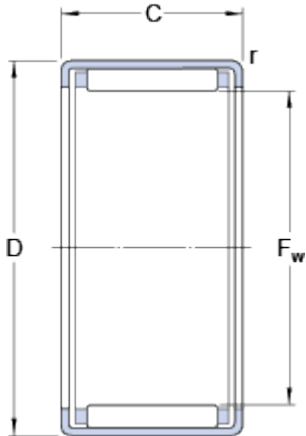


HK 0808

Dimensions



F _w	8	mm
D	12	mm
C	8	mm
r	min. 0.4	mm

Calculation data

Basic dynamic load rating	C	2.7	kN
Basic static load rating	C	2.75	kN
Fatigue load limit	P _u	0.285	kN
Reference speed		19000	r/min
Limiting speed		22000	r/min

Mass

Mass bearing	0.0027	kg
Designation	HK 0808	

Associated products

Radial shaft seal with a low cross-sectional height, single lip [G 8x12x3](#)