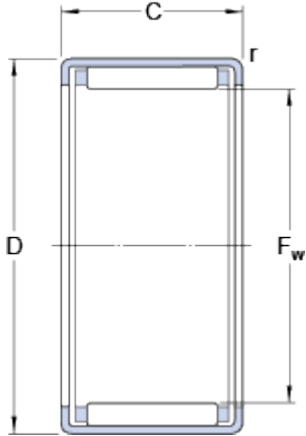


# HK 0608

## Dimensions



F <sub>w</sub>	6	mm
D	10	mm
C	8	mm
r	min. 0.4	mm

## Calculation data

Basic dynamic load rating	C	2.01	kN
Basic static load rating	C	1.73	kN
Fatigue load limit	P <sub>u</sub>	0.18	kN
Reference speed		20000	r/min
Limiting speed		22000	r/min

## Mass

Mass bearing	0.0021	kg
Designation	HK 0608	

## Associated products

Radial shaft seal with a low cross-sectional height, single lip

[G 6x10x2 S](#)