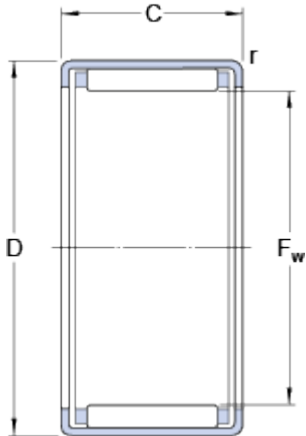


HK 0408

Dimensions



F _w	4	mm
D	8	mm
C	8	mm
r	min. 0.3	mm

Calculation data

Basic dynamic load rating	C	1.76	kN
Basic static load rating	C	1.37	kN
Fatigue load limit	P _u	0.14	kN
Reference speed		22000	r/min
Limiting speed		26000	r/min

Mass

Mass bearing		0.002	kg
Designation		HK 0408	

Associated products

Radial shaft seal with a low cross-sectional height, single lip

[G 4x8x2 S](#)