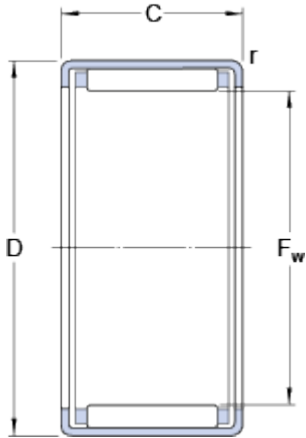


HK 0306 TN

Dimensions



F_w	3	mm
D	6.5	mm
C	6	mm
r	min. 0.3	mm

Calculation data

Basic dynamic load rating	C	1.23	kN
Basic static load rating	C	0.88	kN
Fatigue load limit	P_u	0.088	kN
Reference speed		24000	r/min
Limiting speed		26000	r/min

Mass

Mass bearing		0.001	kg
Designation	HK 0306 TN		