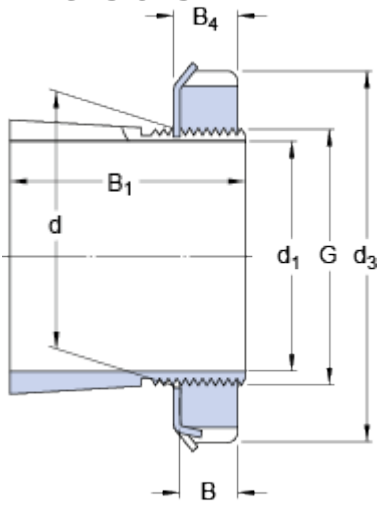


# HA 320

## Dimensions



$d_1$	87.313	mm
$d$	100	mm
$d_3$	130	mm
$B_1$	71	mm
$B$	18	mm
$B_4$	20	mm
$G$	M 100x2	

## Mass

Mass adapter sleeve assembly

1.8 kg

## Included products

Lock nut

[KM 20](#)

Locking device

[MB 20](#)

## Associated products

Hydraulic nut

[HMV 20 E](#)