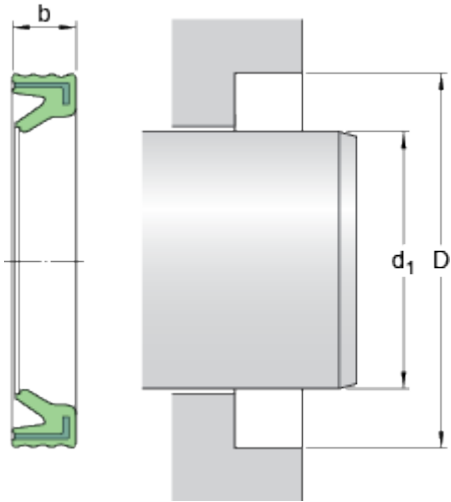


# G 13x19x3

## Dimensions



$d_1$	13	mm
$D$	19	mm
$b$	3	mm

## Application and operating conditions

Operating temperature	min.	-30	°C
Operating temperature	max.	110	°C
Shaft surface speed	max.	10	m/s