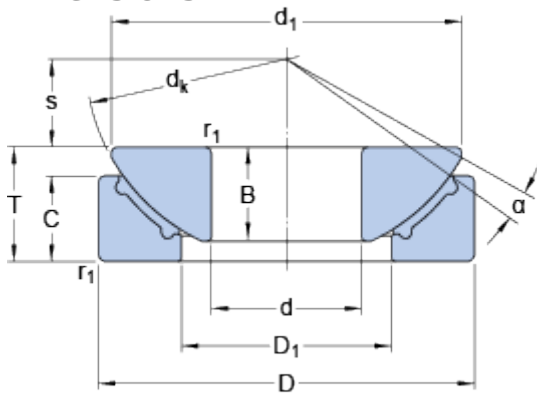


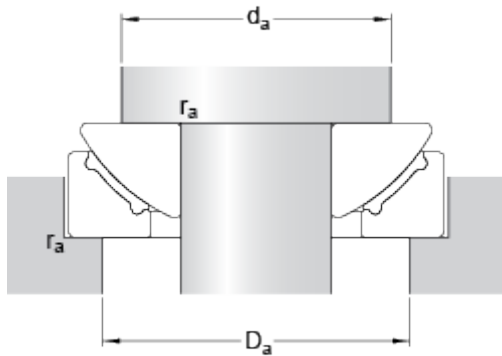
GX 30 F

Dimensions



d	30	mm
D	75	mm
T	26	mm
α	5	°
d_k	82	mm
d_1	70	mm
D_1	42	mm
B	19	mm
C	19	mm
r_1	min. 1	mm
s	17.5	mm

Abutment dimensions



d_a	min.	56	mm
D_a	max.	59	mm
r_a	max.	1	mm

Calculation data

Basic dynamic load rating - axial direction	C	95	kN
Basic static load rating - axial direction	C	153	kN
Specific dynamic load factor	K	50	N/mm ²
Specific static load factor	K	80	N/mm ²
Material constant	K_M	670	

Mass

Mass plain bearing	0.61	kg
--------------------	------	----