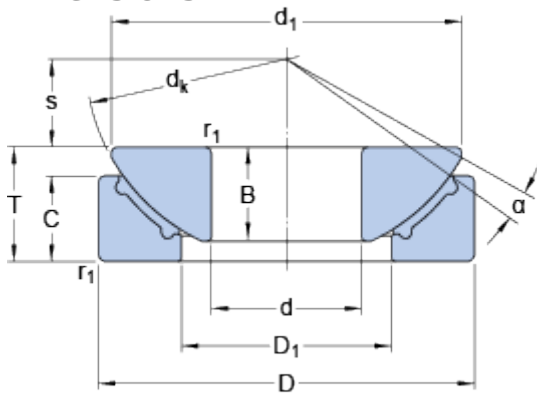


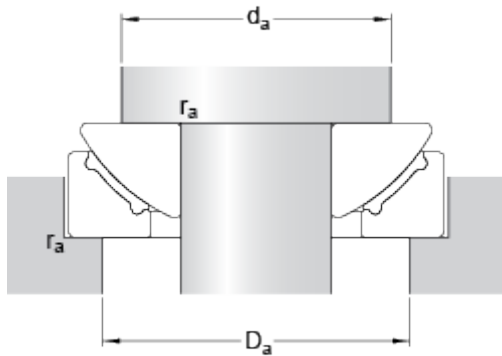
# GX 20 F

## Dimensions



$d$	20	mm
$D$	55	mm
$T$	20	mm
$\alpha$	5	°
$d_k$	60	mm
$d_1$	50	mm
$D_1$	31	mm
$B$	14.5	mm
$C$	13.8	mm
$r_1$	min. 1	mm
$s$	12.5	mm

## Abutment dimensions



$d_a$	min. 40	mm
$D_a$	max. 44	mm
$r_a$	max. 1	mm

## Calculation data

Basic dynamic load rating - axial direction	C	46.5	kN
Basic static load rating - axial direction	C	73.5	kN
Specific dynamic load factor	K	50	N/mm <sup>2</sup>
Specific static load factor	K	80	N/mm <sup>2</sup>
Material constant	$K_M$	670	

## Mass

Mass plain bearing	0.25	kg
--------------------	------	----