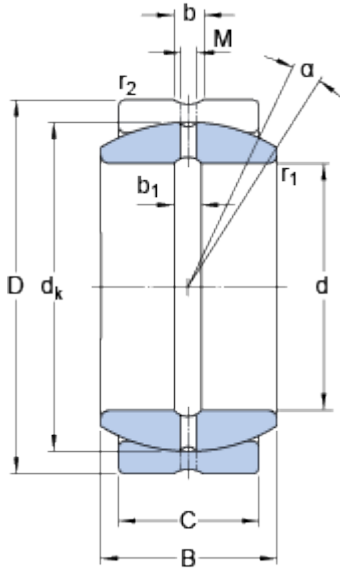


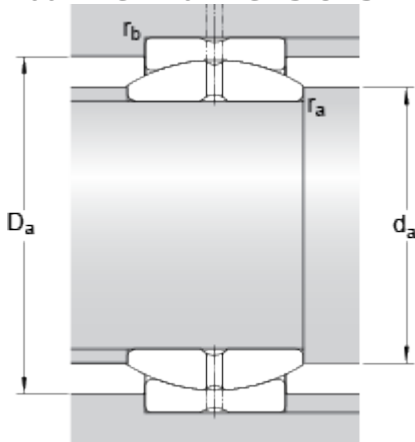
# GE 90 ES

## Dimensions



d	90	mm
D	130	mm
B	60	mm
C	50	mm
$\alpha$	5	°
$d_k$	115	mm
b	9.5	mm
$b_1$	9.5	mm
M	5	mm
$r_1$	min. 1	mm
$r_2$	min. 1	mm

## Abutment dimensions



$d_a$	min.	97.4	mm
$d_a$	max.	98.1	mm
$D_a$	min.	109.3	mm
$D_a$	max.	123.5	mm
$r_a$	max.	1	mm
$r_b$	max.	1	mm

## Calculation data

Basic dynamic load rating	C	490	kN
Basic static load rating	C	2450	kN
Specific dynamic load factor	K	100	N/mm <sup>2</sup>
Specific static load factor	K	500	N/mm <sup>2</sup>
Material constant	$K_M$	330	

## Mass

Mass plain bearing		2.75	kg
--------------------	--	------	----

