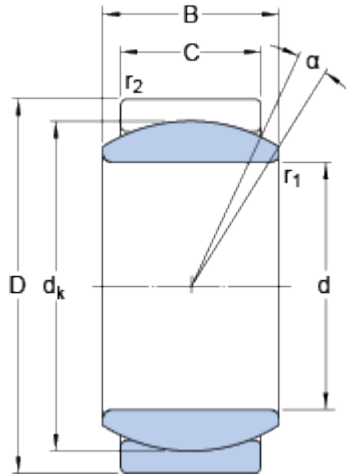


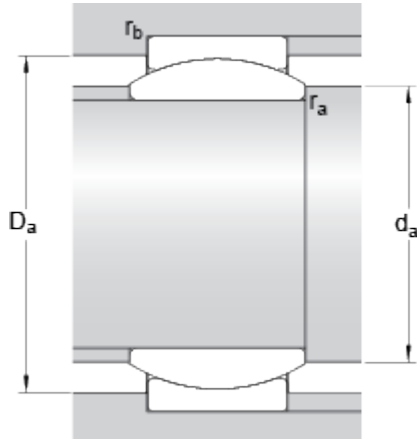
# GE 8 E

## Dimensions



d	8	mm
D	16	mm
B	8	mm
C	5	mm
$\alpha$	15	°
dk	13	mm
r <sub>1</sub>	min. 0.3	mm
r <sub>2</sub>	min. 0.3	mm

## Abutment dimensions



d <sub>a</sub>	min. 9.6	mm
d <sub>a</sub>	max. 10.2	mm
D <sub>a</sub>	min. 12.3	mm
D <sub>a</sub>	max. 14.5	mm
r <sub>a</sub>	max. 0.3	mm
r <sub>b</sub>	max. 0.3	mm

## Calculation data

Basic dynamic load rating	C	5.5	kN
Basic static load rating	C	27.5	kN
Specific dynamic load factor	K	100	N/mm <sup>2</sup>
Specific static load factor	K	500	N/mm <sup>2</sup>
Material constant	K <sub>M</sub>	330	

## Mass

Mass plain bearing	0.008	kg
--------------------	-------	----