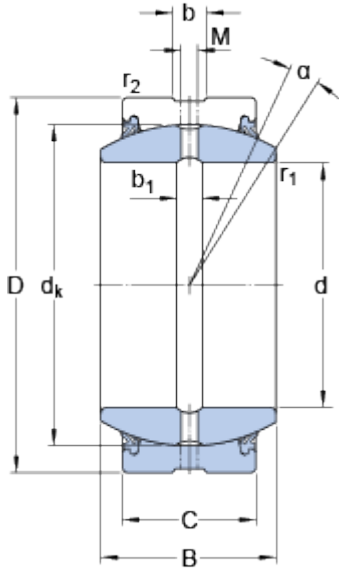


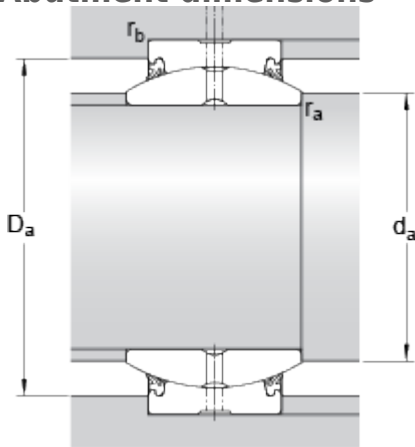
GE 80 ES-2RS

Dimensions



d	80	mm
D	120	mm
B	55	mm
C	45	mm
α	5	°
dk	105	mm
b	7.7	mm
b ₁	7.7	mm
M	4	mm
r ₁	min. 1	mm
r ₂	min. 1	mm

Abutment dimensions



d _a	min.	87.1	mm
d _a	max.	89.4	mm
D _a	min.	104.4	mm
D _a	max.	113.8	mm
r _a	max.	1	mm
r _b	max.	1	mm

Calculation data

Basic dynamic load rating	C	400	kN
Basic static load rating	C	2000	kN
Specific dynamic load factor	K	100	N/mm ²
Specific static load factor	K	500	N/mm ²
Material constant	K _M	330	

Mass

Mass plain bearing		2.3	kg
--------------------	--	-----	----

