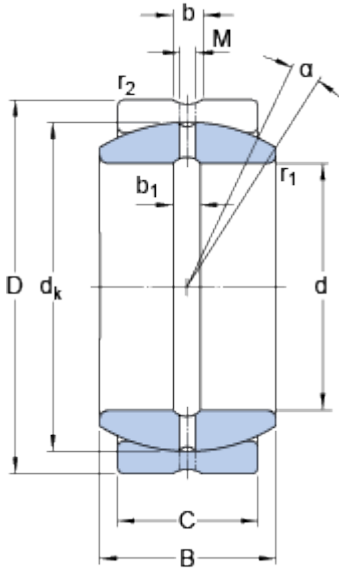


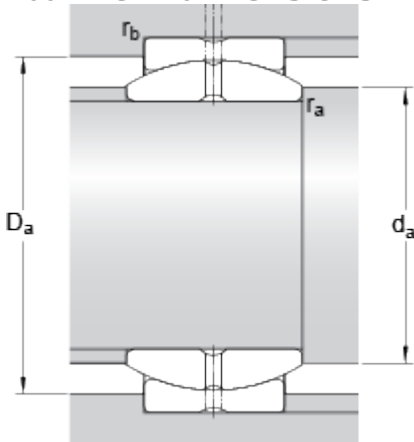
GE 70 ES

Dimensions



d	70	mm
D	105	mm
B	49	mm
C	40	mm
α	6	°
d_k	92	mm
b	7.7	mm
b_1	7.7	mm
M	4	mm
r_1	min. 1	mm
r_2	min. 1	mm

Abutment dimensions



d_a	min.	76.7	mm
d_a	max.	77.9	mm
D_a	min.	87.4	mm
D_a	max.	99	mm
r_a	max.	1	mm
r_b	max.	1	mm

Calculation data

Basic dynamic load rating	C	315	kN
Basic static load rating	C	1560	kN
Specific dynamic load factor	K	100	N/mm ²
Specific static load factor	K	500	N/mm ²
Material constant	K_M	330	

Mass

Mass plain bearing	1.55	kg
--------------------	------	----

